

**PLEASE CHECK WWW.MOLEX.COM FOR LATEST PART INFORMATION**

**Part Number:** **0508567812**  
**Status:** **Active**  
**Description:** Ring Tongue Terminal for 10 and 12 AWG, Closed Uninsulated Brazed Barrel, Stud Size 5/8" (M16), Oxygen Free Copper, Length 48.00mm (1.890")

**Documents:**

[Drawing \(PDF\)](#) [RoHS Certificate of Compliance \(PDF\)](#)  
[Product Specification PS-50856-001 \(PDF\)](#)

**Agency Certification**

CSA LR95446  
 UL E134962

**General**

Product Family Ring and Spade Terminals  
 Series [50856](#)  
 Crimp Quality Equipment Yes  
 Mil-Spec N/A  
 Product Name R (Ring)  
 Type Ring

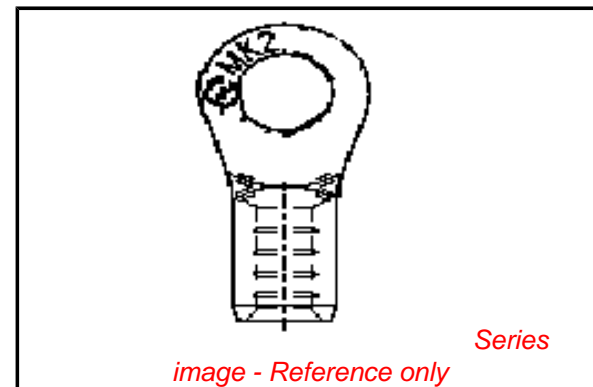
**Physical**

Barrel Type Closed - Brazed  
 Insulation None  
 Material - Plating Mating Tin  
 Packaging Type Bag  
 Plating min: Mating (µin) 40  
 Plating min: Mating (µm) 1  
 Plating min: Termination (µin) 40  
 Plating min: Termination (µm) 1  
 Stud Size 5/8" (M16)  
 Termination Interface: Style Crimp or Compression  
 Wire Size AWG 10, 12  
 Wire Size mm<sup>2</sup> 2.63 - 6.64

**Material Info**

**Reference - Drawing Numbers**

Product Specification PS-50856-001  
 Sales Drawing SD-50856-001



**EU RoHS**

**ELV and RoHS Compliant**  
**REACH SVHC**  
 Not Reviewed  
**Halogen-Free Status**  
**Not Reviewed**

**China RoHS**



**Need more information on product environmental compliance?**

Email [productcompliance@molex.com](mailto:productcompliance@molex.com)  
 For a multiple part number RoHS Certificate of Compliance, [click here](#)

Please visit the [Contact Us](#) section for any non-product compliance questions.

**Search Parts in this Series**

50856Series

**Application Tooling | [FAQ](#)**

*Tooling specifications and manuals are found by selecting the products below. Crimp Height Specifications are then contained in the Application Tooling Specification document.*

**Japan**

Description	Product #
Hand Crimper For JIS Terminal	<a href="#">0572575000</a>
Air Type Hand Crimper For JIS Terminal	<a href="#">0573439005</a>

10 9 8 7 6 5 4 3 2 1

F

E

D

C

B

A

F

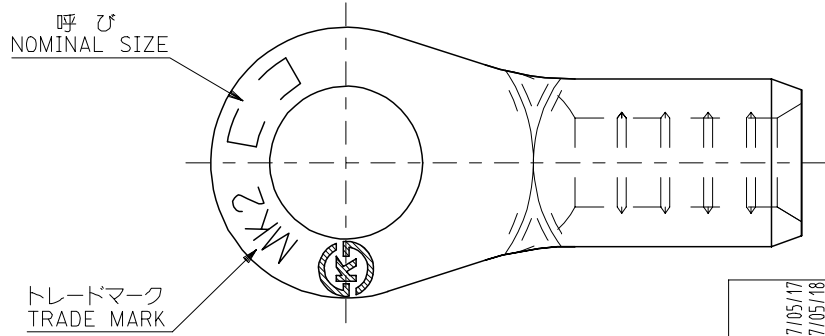
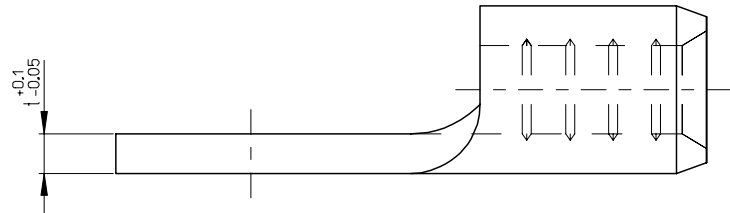
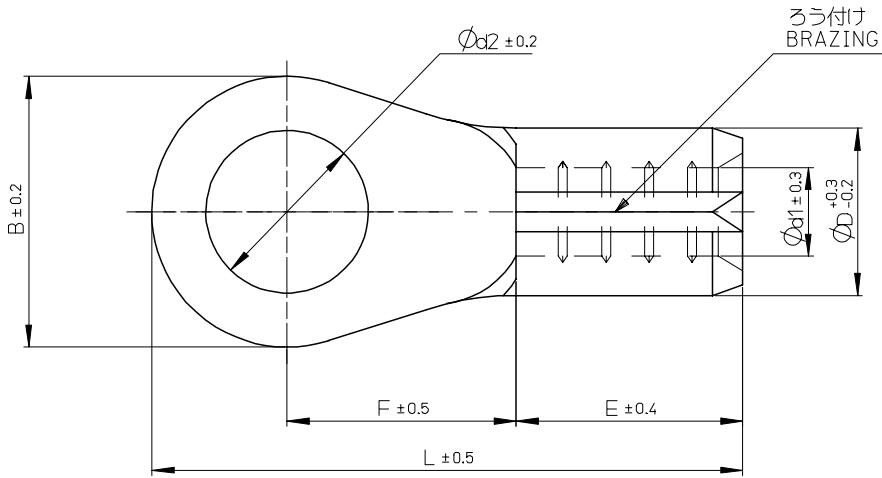
E

D

C

B

A



注記 NOTES

- 1 材質 MATERIAL  
 端子：無酸素銅、錫めっき  
 TERMINAL: OXYGEN-FREE COPPER, TIN PLATING  
 ろう付け部：りん銅ろう  
 PART OF BRAZING : COPPER PHOSPHORUS BRAZING FILLER METALS
- 2 適用電線 APPLICABLE WIRE RANGE

単線 SOLID WIRE	撚線 STRANDED WIRE
1.82-2.89 mm	2.63-6.64 mm <sup>2</sup>

1	21	48	25.7	6.5	3.5	5.6	5.5	20	50856-7912	
	17							16	50856-7812	
	15							14	50856-7712	
	5.3	12	L5					50856-7612		
		8	S5					50856-7512		
	4.3	18.3	8.5					7.1	M4	50856-7412
								7.2	M3.5	50856-7312
	3.7	15.8	5.9					7.1	S3.5	50856-7212
7.2				M3	50856-7112					
3.2	18.3	8.5	7.1	M3	50856-7112					
			7.2	S3	50856-7012					
t	Ød2	L	F	E	Ød1	ØD	B	呼び NOMINAL SIZE	ENG. NO.	

RELEASED EC NO: J2007-0312 DRW: H.YAJIMA 2007/05/17 CHK: K.KASAHARA 2007/05/18 APPR: NUKITA 2007/05/18	GENERAL TOLERANCES (UNLESS SPECIFIED)		DIMENSION STYLE MM ONLY		SCALE ---	DESIGN UNITS METRIC	THIRD ANGLE PROJECTION	
	10 UNDER	± ---	DRAWN BY H. YAJIMA	DATE '06/08/23	TITLE RING TERMINAL			
	10 OVER 30 UNDER	± ---	CHECKED BY K. KASAHARA	DATE '06/08/23	MOLEX INCORPORATED MATERIAL NO. SEE CHART DOCUMENT NO. SD-50856-001 SHEET NO. 1 OF 1			
	30 OVER	± ---	APPROVED BY N. UKITA	DATE '06/08/23				
	ANGULAR	± --- °	DRAFT WHERE APPLICABLE MUST REMAIN WITHIN DIMENSIONS		THIS DRAWING CONTAINS INFORMATION THAT IS PROPRIETARY TO MOLEX INCORPORATED AND SHOULD NOT BE USED WITHOUT WRITTEN PERMISSION			
0	REV							